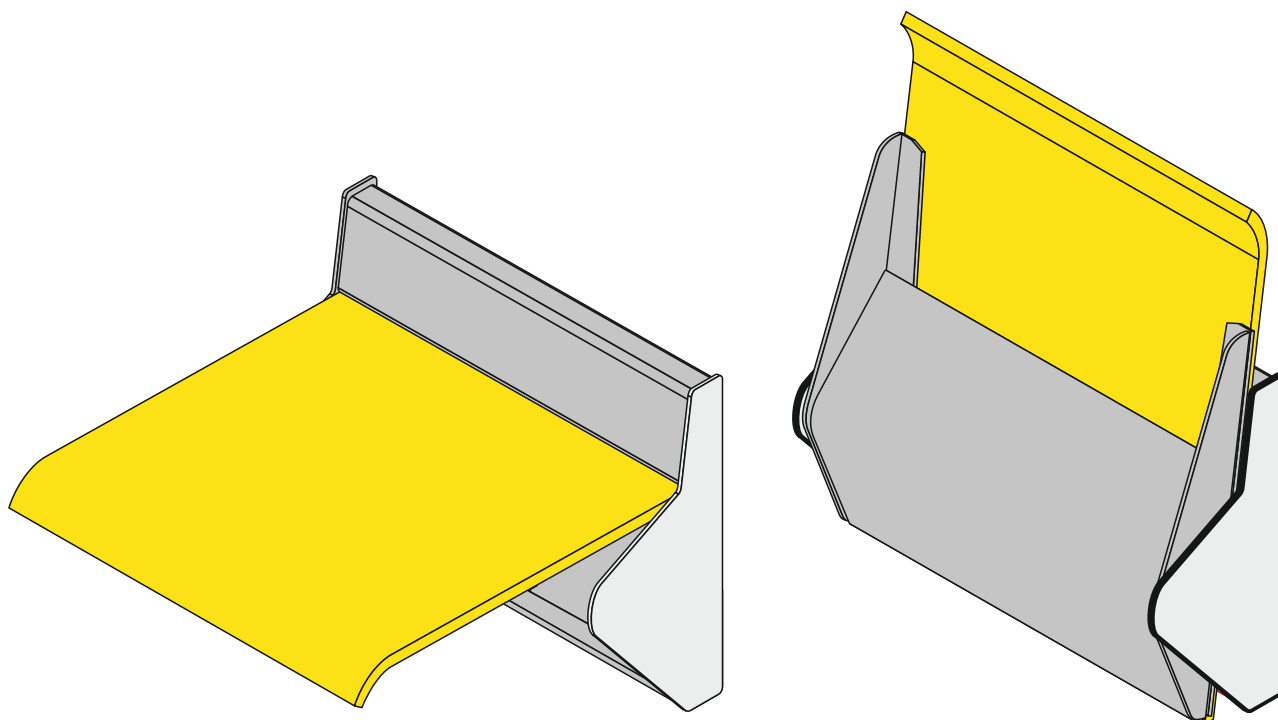


TPS 2

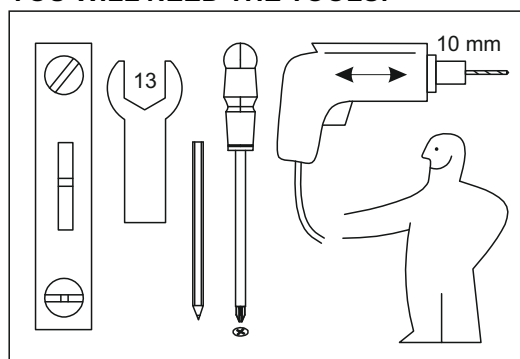


TPS 2

CHECK THE PACKAGE CONTENTS

ITEM / TYPE	TPS 1
Strapontin (set)	1
Wall plugs (set)	5

YOU WILL NEED THE TOOLS:



The assembly of ALLHALL furniture and its attachment to the wall is very simple. The package includes Phillips screwdriver and Allen key, additionally, you will need 13 mm key, level and hammer drill with 10 mm carbide drill.

Before starting the assembly, check the contents of the package, the number of items, prepare suitable worktop or floor and the necessary tools.

ATTACHING FOLDING SEAT TO THE WALL

1. At a height of 490 mm from the floor, mark and drill three holes for expansion pins at a distance of 183 mm.
2. Set the dowels and screw in the SN top rail.
3. Attach the straponten to the top rail and mark the bottom two holes for expansion pins. Take off straponten.
4. Drill the lower holes, drive the pins.
5. Attach the straponten to the top rail again. Screw strapontena bottom rail using the bottom screws.
6. Install and tighten the lower rail cover.

DONE!

