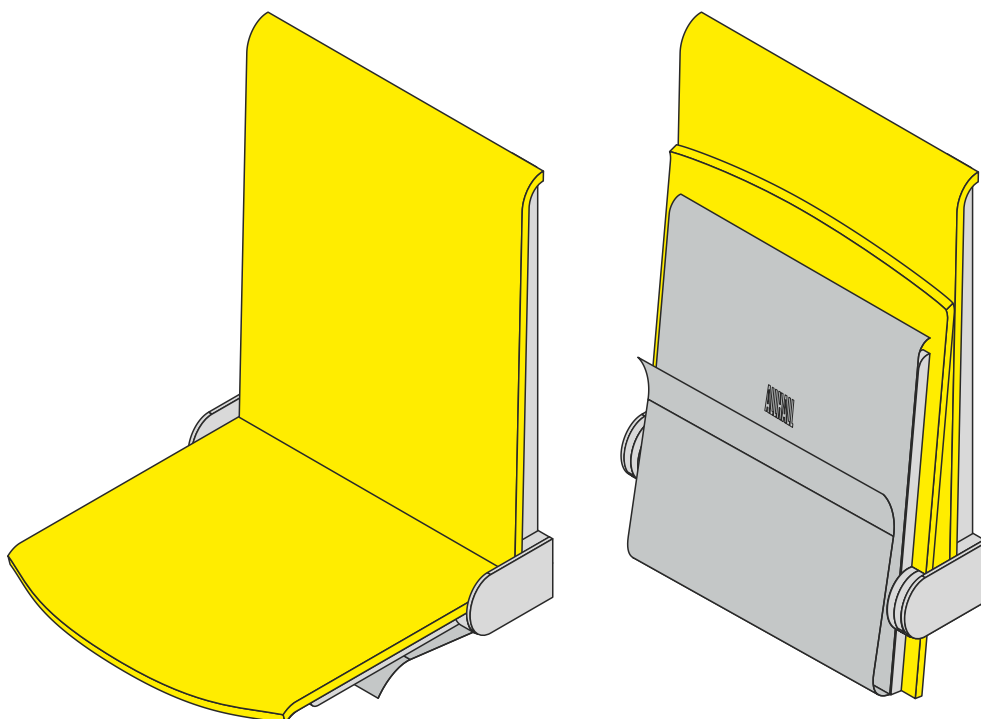


FOLDING SEATS

**TPS 1A**  
**TPS 1GA**

**ALLHALL**  
**TWIST PLUS**

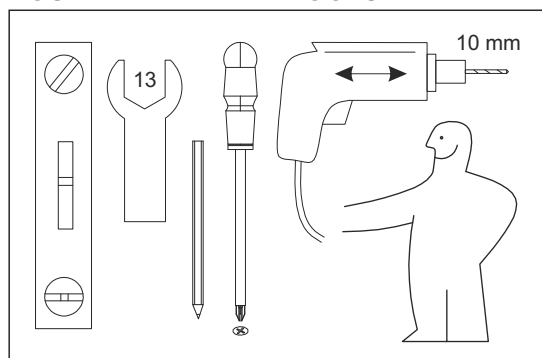


**TPS 1G**

**CHECK THE PACKAGE CONTENTS**

ITEM / TYPE	TPS 1	TPS 1G
Folding seat (set)	1	1
Wall plugs	6	6

**YOU WILL NEED THE TOOLS:**

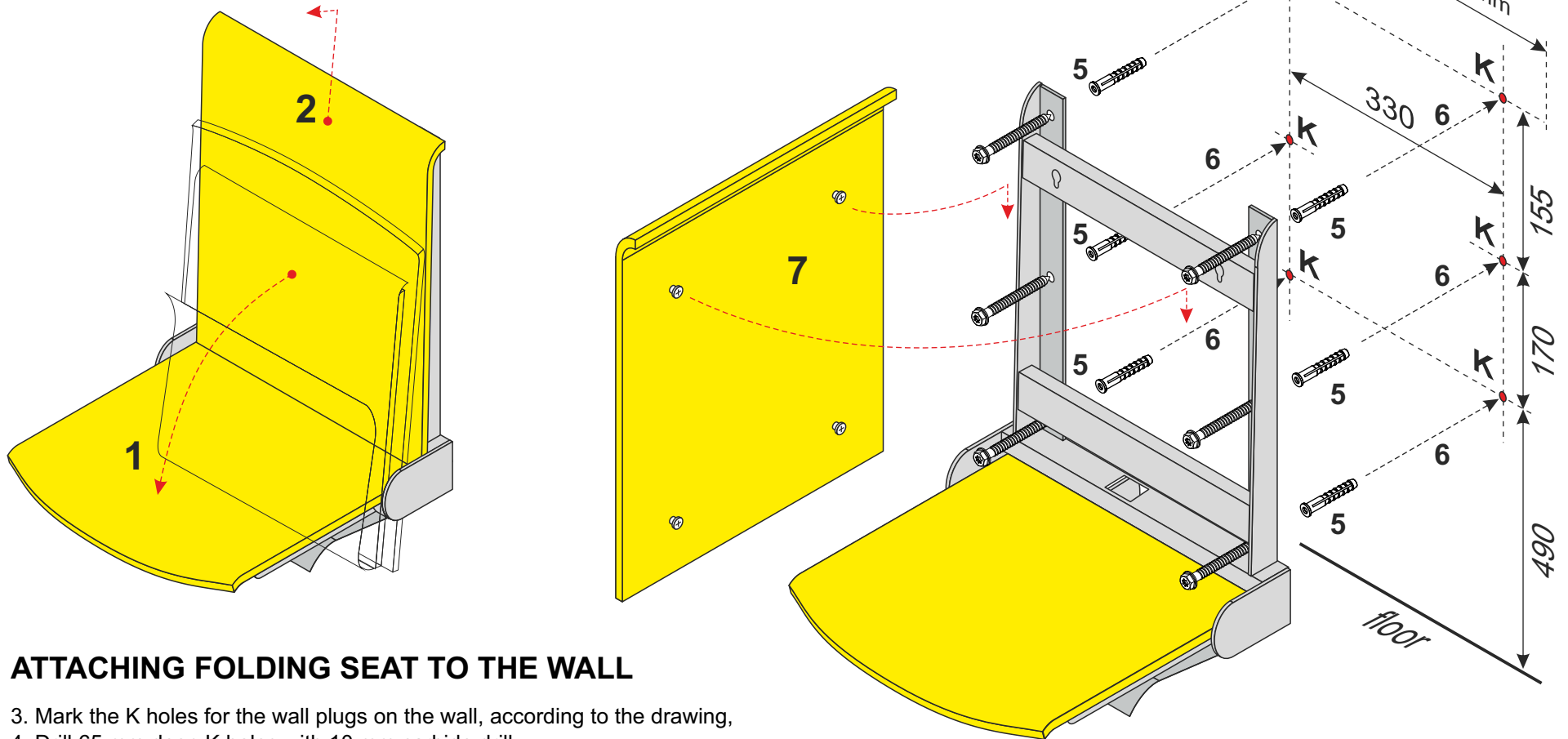


The assembly of ALLHALL furniture and its fixing to the wall are very simple. You will need, screwdriver, 13 mm key, level, hammer and drill with 10 mm carbide bit.

Before mounting, check the contents of the package, the number of items, prepare suitable worktop or floor and the necessary tools.

## PREPARING FOR ASSEMBLY

1. Fold down the seat to the horizontal position.
2. Slide up and remove the backrest from the support frame



## ATTACHING FOLDING SEAT TO THE WALL

3. Mark the K holes for the wall plugs on the wall, according to the drawing,
4. Drill 65 mm deep K holes with 10 mm carbide drill,
5. Take out the plugs, put the screws through the holes of the frame and screw the plugs,
6. Place the frame to the wall inserting the plugs into the holes in the wall, then tighten the screws with 13 mm key.
7. Put the pins of the backrest into the frame holes and move it downwards to the stop.

**DONE!**

Note: The distance of the lower holes from the floor (490 mm) corresponds to the average seat height of 450 mm. If you need a different height, you should adjust the seat accordingly.